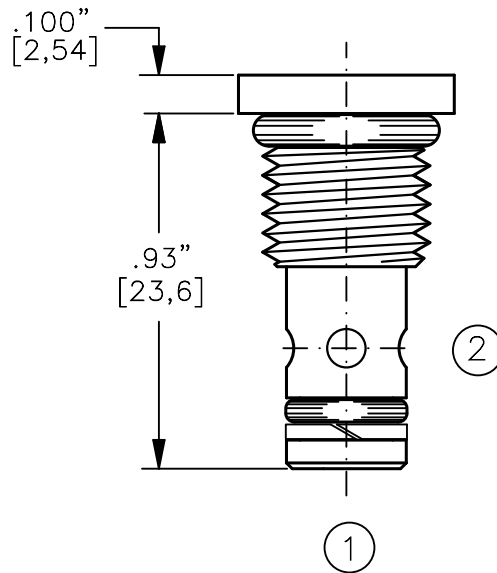
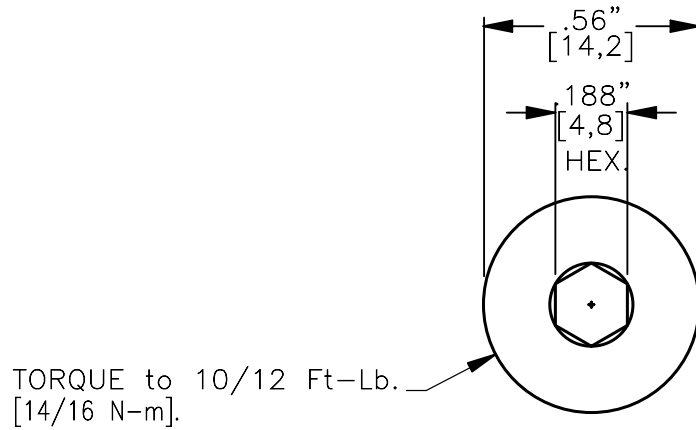
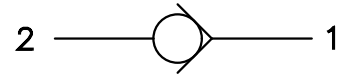
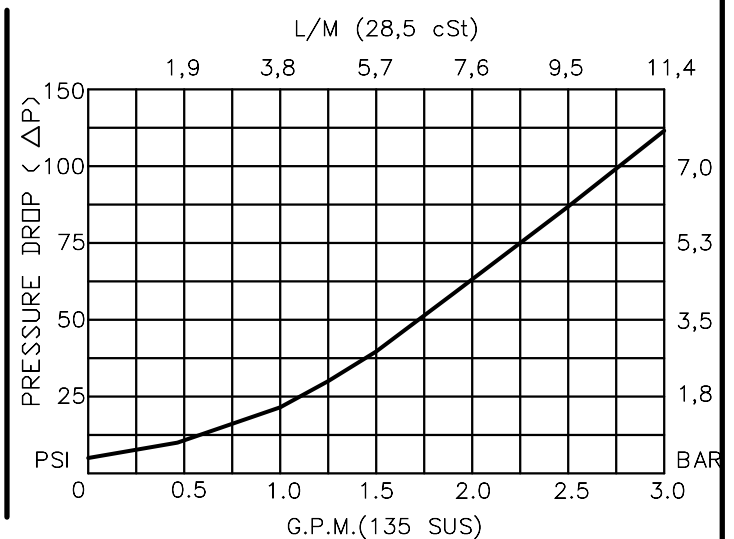


CHECK VALVE FORWARD GUIDED BALL



CVFB-04-X-0-XXX

- BASIC
- SIZE
04 = 7/16"-20 UNF
- SEALS
N = BUNA "N"
V = VITON
- PORTS
0 = CARTRIDGE ONLY
(NO HOUSING OFFERED)
- CRACK PRESSURE
005 = 5 PSI
020 = 20 PSI



CHECK VALVE FORWARD GUIDED BALL

DESCRIPTION

This unit is a SCREW IN, cartridge type, guided ball, hydraulic check valve, for use as a blocking or load holding device for high pressure applications.

OPERATIONS

This valve allows free flow from port 1 to port 2 and blocks flow from port 2 to port 1 or holding a load.

FEATURES AND BENEFITS

All external carbon steel parts are plated for longer life against the elements. All cartridge valves are 100% functionally tested.

SPECIFICATIONS

OPERATING PRESSURE: 5,000 PSI [350 Bar]

PROOF PRESSURE: 10,000 PSI [700 Bar]

FLOW: 2.5 GPM [9,5 l/m] nominal. See performance chart.

INTERNAL LEAKAGE: 5 drops per minute maximum @ 5,000 PSI [350 Bar]

OPERATING TEMPERATURE: -40° to +250° F. [-40° to +120° C.]

OPERATING MEDIA: All general purpose hydraulic fluids such as MIL-H-5606, SAE-#10, SAE-#20, etc.

INSTALLATION: No restrictions.

SEAL KIT: SKN-0421 Buna "N"

SKV-0421 Viton

WEIGHT: .08 lb [.04 kg] cartridge only.

VALVE CAVITY: #C0420.

info.el@bucherhydraulics.com

www.bucherhydraulics.com/commoncavity

© 2015 by Bucher Hydraulics, Inc., 2545 Northwest Parkway, Elgin, Illinois 60124, USA

All rights reserved.

Data is provided for the purpose of product description only, and must not be construed as warranted characteristics in the legal sense. The information does not relieve users from the duty of conducting their own evaluations and tests. Because the products are subject to continual improvement, we reserve the right to amend the product specifications contained in this catalogue.