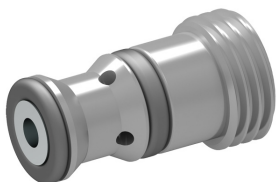


# Cartridge Shuttle Valve, Size 2

$Q_{\max} = 8 \text{ l/min}$ ,  $p_{\max} = 250 \text{ bar}$

Ball/seat version

Series RWA...



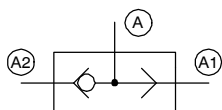
- Compact construction for cavity type AE - G1/8"
- With two alternative inlets (the unused one is closed) and one outlet
- For drawing pilot oil from two separate power circuits

## 1 Description

Series RWA... cartridge shuttle valves are size 2, screw-in cartridges with a ball/seat design and a G1/8" mounting thread. These valves are suitable for installation in control blocks and are used to draw pilot oil from two separate

power circuits. A valve can also be used as a logic element. If you intend to manufacture your own cavities or are designing a line-mounting installation, please refer to the section "Related data sheets".

## 2 Symbol



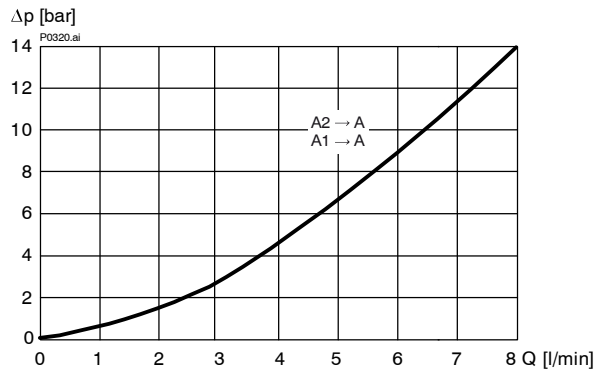
## 3 Technical data

General characteristics	Description, value, unit
Designation	cartridge shuttle valve
Design	ball/seat type
Mounting method	screw-in cartridge G1/8"
Tightening torque	10 Nm $\pm$ 10 %
Size	nominal size 2, cavity type AE to Bucher standards
Weight	0.01 kg
Mounting attitude	unrestricted
Ambient temperature range	-25 °C ... +80 °C
Hydraulic characteristics	Description, value, unit
Maximum operating pressure	250 bar
Maximum flow rate	8 l/min
Flow direction	A1 $\rightarrow$ A and A2 $\rightarrow$ A (see symbol)
Hydraulic fluid	HL and HLP mineral oil to DIN 51 524; for other fluids, please contact BUCHER
Hydraulic fluid temperature range	-25 °C ... +80 °C
Viscosity range	10...650 mm <sup>2</sup> /s (cSt), recommended 15...250 mm <sup>2</sup> /s (cSt)
Minimum fluid cleanliness Cleanliness class to ISO 4406 : 1999	class 20/18/15

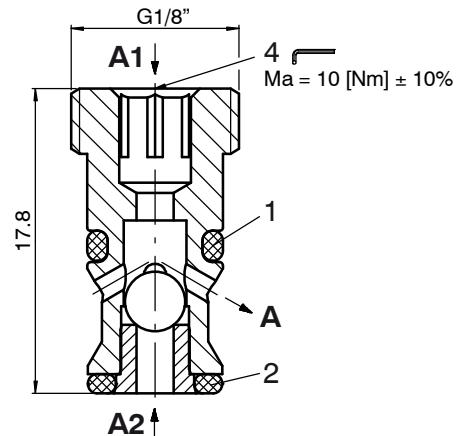
## 4 Performance graphs

[measured with oil viscosity 33 mm<sup>2</sup>/s (cSt)]

$\Delta p = f(Q)$  Pressure drop - Flow rate characteristic



## 5 Dimensions & sectional view



## 6 Installation information



### IMPORTANT!

When fitting the cartridges, use the specified tightening torque. No adjustments are necessary, since the cartridges are set in the factory.

Seal kit NBR no. DS-190-N <sup>1)</sup>

Item	Qty.	Description
1	1	O-ring $\varnothing$ 5.5 x 1.5 N90
2	1	O-ring $\varnothing$ 4.0 x 1.5 N90



### IMPORTANT!

1) Seal kit with FKM (Viton) seals no. DS-190-V

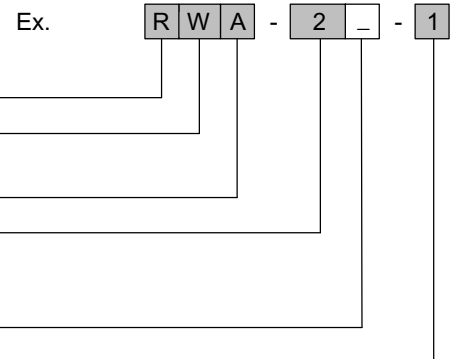


### ATTENTION!

Only qualified personnel with mechanical skills may carry out any maintenance work. Generally, the only work that should ever be undertaken is to check, and possibly replace, the seals. When changing seals, oil or grease the new seals thoroughly before fitting them.

## 7 Ordering code

- R = check valve
- W = shuttle function
- A ... Q = standard model - see relevant data sheets
- Y ... R = special features - please consult BUCHER
- 2 = nominal size 2
- (blank) = NBR (Nitrile) seals (standard)
- V = FKM (Viton) seals (special seals - please contact BUCHER)
- 1 ... 9 = design stage (omit when ordering new units)



## 8 Related data sheets

Reference	(Old no.)	Description
400-P-040011	(i-32)	The form-tool hire programme
400-P-040121	(i-33.3)	Cavity type AE

info.ch@bucherhydraulics.com

www.bucherhydraulics.com

© 2015 by Bucher Hydraulics AG Frutigen, CH-3714 Frutigen

All rights reserved.

Data is provided for the purpose of product description only, and must not be construed as warranted characteristics in the legal sense. The information does not relieve users from the duty of conducting their own evaluations and tests. Because the products are subject to continual improvement, we reserve the right to amend the product specifications contained in this catalogue.

Classification: 430.315.305.300.335