

Stack Mounting Check Valve, Size 5 Poppet Design Series SRV ...



- 350 bar / 120 l/min
- Cracking pressure 0,5 bar (standard)
- Optionally: Cracking pressures 1,0 bar ... 10,0 bar
- With ISO 4401 / CETOP R35H size 5, NFPA D05, DIN 24 340 A10 interface

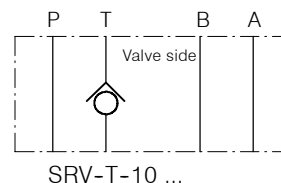
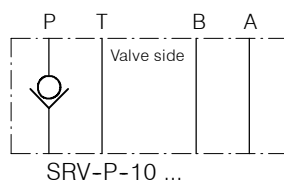
1. Description

The SRV-10 ... is a universal direct check module for size 05 valve stacks. The slip-in cartridge can be inverted in its 19 mm H7 bore, enabling simple

field changes from free flow IN to free flow OUT, and vice versa. The flow direction is marked on the cartridge with a check valve symbol. The module

body alone can also be supplied with the lines P, A, B and T pilot drilled 10,5 mm. Model code SZ-37-10.

2. Symbols

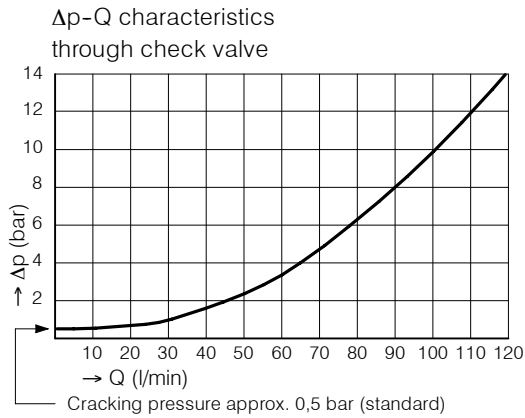


3. Main characteristics

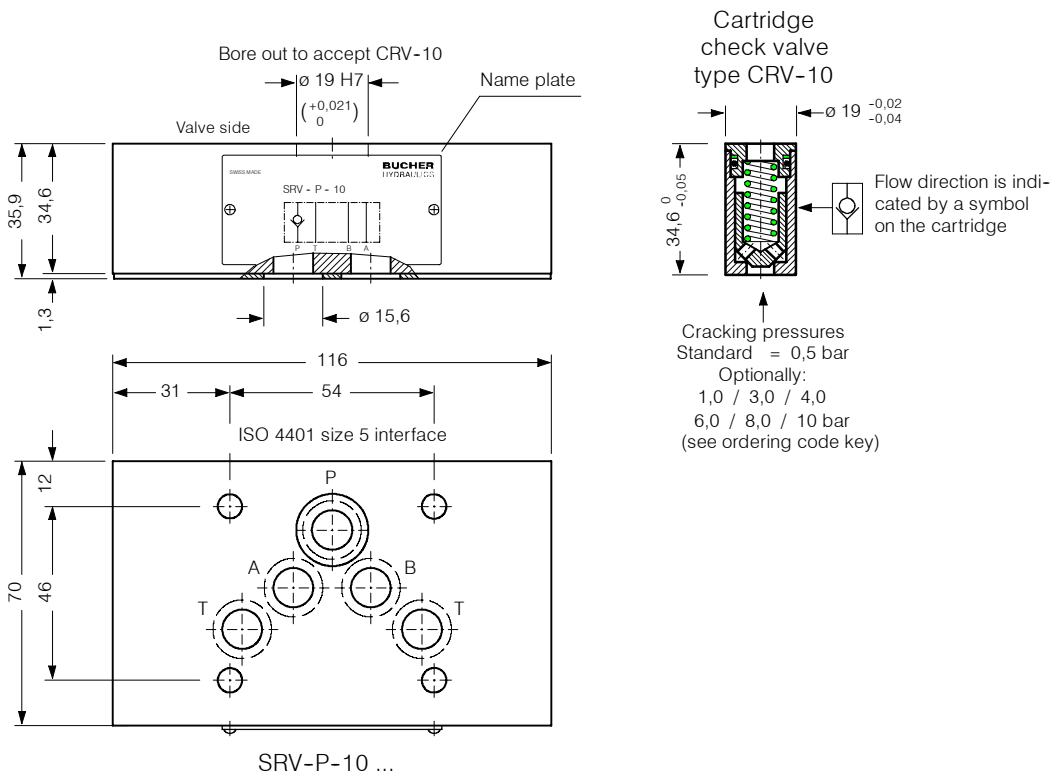
Designation		stacking check valve
Design		slip-in poppet cartridge, invertable, direct acting
Mounting method		stack mounting
Size		ISO 4401 size 05 interface, nominal 10 mm
Weight	kg	2,00
Mounting attitude		unrestricted
Flow direction		see symbols
Operating pressure range in P, A, B and T	bar	... 350
Cracking pressure	bar	0,5 bar (standard); optionally: 1,0, 3,0, 4,0, 6,0, 8,0 and 10,0
Flow rate, Qmax	l/min	120, see Δp -Q characteristics
Fluids		HL and HLP hydraulic oils to DIN 51 524; for other fluids, please consult BUCHER
Fluid temperature range	°C	-25 ... +80
Ambient temperature	°C	-25 ... +80
Viscosity range	mm ² /s (cSt)	10 ... 650, recommended 15 ... 250
Minimum fluid cleanliness level		18/14 to ISO 4406 / CETOP RP70H; 8 ... 9 to NAS 1638

4. Performance graphs

Measured with oil viscosity 33 mm²/s (cSt)

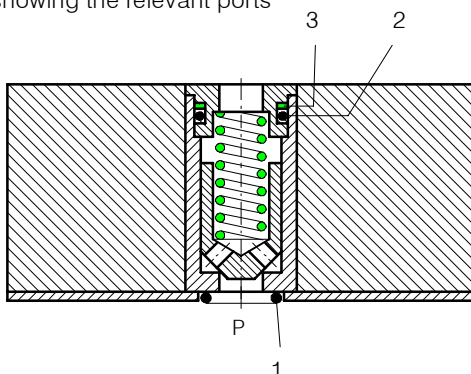


5. Dimensions



6. Schematic section

showing the relevant ports



Itm.	Qty.	Description	Size
1	5	O-ring no. 014	Ø 12,42 x 1,78 N90
2	1	O-ring	Ø 13,00 x 2,00 N90
3	1	Backup ring	Ø 11,1x1,75x1,0 FI0751

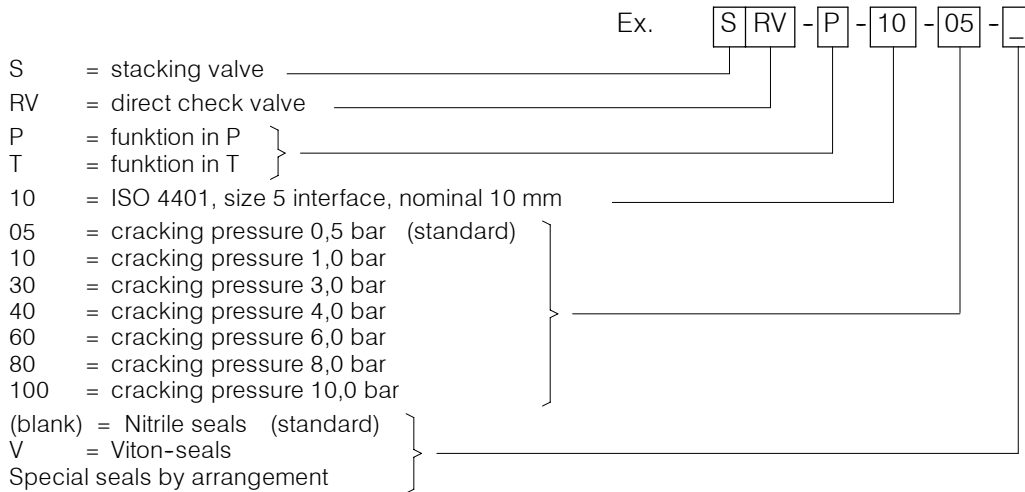
7. Installation and servicing

All installation and servicing must be carried out with care, and by qualified personnel only. At installation, be sure to mount the valve with the correct

faces contacting the adjacent units and with all interface connections lining up properly. When changing seals, the

new seals should be thoroughly oiled or greased before mounting them to the valve.

8. Ordering code



9. Related data sheets

Old no.	New no.	
i-41	400-P-050101-E	DIN 24 340 A10 interface
G-45 B	400-P-810901-E	Seal Plate 10 mm

info.ch@bucherhydraulics.com

www.bucherhydraulics.com

© 2015 by Bucher Hydraulics AG Frutigen, CH-3714 Frutigen

All rights reserved.

Data is provided for the purpose of product description only, and must not be construed as warranted characteristics in the legal sense. The information does not relieve users from the duty of conducting their own evaluations and tests. Because the products are subject to continual improvement, we reserve the right to amend the product specifications contained in this catalogue.