

## Featured Manufacturers

**EATON** **AEROQUIP** - Adapters, Fittings, Hoses and Crimpers  
**CHAR-LYNN** - Low Speed High Torque Motors and Steering Orbitrols.  
**CESSNA** - Pumps, Motors and Accessories  
**EATON** - Light and Heavy Duty Transmissions  
**VICKERS** - Pumps, Motors, Power Units, Directional Valves, Manifolds, Filters, Cylinders and accessories.  
**EATON/CUTLER HAMMER** - Electrical control products

### PRINCE

Hydraulic Cylinders, Valves, Pumps and Motors

### PERMCO

Pumps, Motors, Flow Dividers and Parts

### POCLAIN HYDRAULICS

Motors and Valves

### MONARCH INDUSTRIES

Cylinders and Accessories

### HECO

Planetary Gear Reducers and Accessories

### LINCOLN

Lubricators and Accessories

### MONARCH HYDRAULICS

Hydraulic Power Units (AC/DC) and Accessories

### SALAMI

Directional Control Valves and Accessories

### STAUFF

Clamps, Filtration, Test Equipment, Valves and Accessories.

### ZINGA INDUSTRIES

Filters, Strainers, Sight Gauges and Accessories

### LDI

Sight Gauges and Accessories

### BRAND HYDRAULICS

Pressure Controls, Flow Controls and Directional Valves

### DAMAN

Manifolds and Custom Manifolds

### MAGNALOY

Couplings, Pump/Motor Mounts, Reservoirs and Accessories

### ZERO-MAX

Overhung Load Adaptors

### CROSS MFG.

Pressure Controls, Gear Pumps, Motors, Cylinders, Flow Controls and Valves

### DELTA POWER HYDRAULICS

Power Units, Flow Dividers, Pumps, Motors and Accessories

### PITTS(HILITE)

Electric Clutches

### THERMAL TRANSFER

Heat Exchangers and Accessories

### BARKSDALE

Electrical & Mechanical Switches and Transducers for measurement of Pressure, Temperature, Level & Flow

### WIKA

Gauges and Accessories

### \*OTHER QUALITY VENDORS

### KENT

19308 68th Ave S. Kent, WA 98032  
253-796-1100/800-367-5646  
Fax: 253-796-1101

### YAKIMA

1930 Rudkin Rd. Yakima, WA 98903  
509-248-0580/800-572-8351  
Fax: 509-575-0250

### PORTLAND

2230 NE Columbia Blvd. Portland, OR 97211  
503-249-2835/800-257-1002  
Fax: 503-249-1090

### BILLINGS

410 Bernard St. Billings, MT 59101  
406-248-7431/800-877-1090  
Fax: 406-248-8586

### GILLETTE

2700 N HWY 14-16, Gillette, WY 82716  
307-682-5858/800-788-5858  
Fax: 307-687-2040

### SALT LAKE CITY

2206 S 2000 West Salt Lake City, UT 84119  
801-972-8316/800-975-7278  
Fax: 801-972-8321

### BOISE

7417 W. Mossy Cup St. Boise, ID 83709  
208-362-5655/800-784-1394  
Fax: 208-362-5695

### MODESTO

1064 Woodland Ave. Ste. T, Modesto, CA 95351  
209-549-0800/800-549-2730  
Fax: 209-549-4760

### ONTARIO

1901 Lynx Place Ontario, CA 91761  
909-930-6611/800-860-6611  
Fax: 909-930-6614



## Marine Solutions

Founded in 1945, Spencer Fluid Power provides hydraulic components and systems to a wide array of markets. For over a half century in the marine market, Spencer Fluid Power helped pioneer Cruise generators, Hydraulic driven refrigeration systems, Bow-thruster systems and other energy saving technologies, making us a leader in marine solutions. With nine branch locations, over 160 associates, in the Western United States, we are capable of servicing your fluid power needs within our vast network of internal resources as well as our long-standing vendor relationships. As the only Eaton Fluid Power Premier Select Distributor on the West coast, Spencer Fluid Power has access to some of the leading fluid power technologies and systems. At Spencer Fluid Power, our success is based on our customers' success.

\*Some products are not available at all locations.

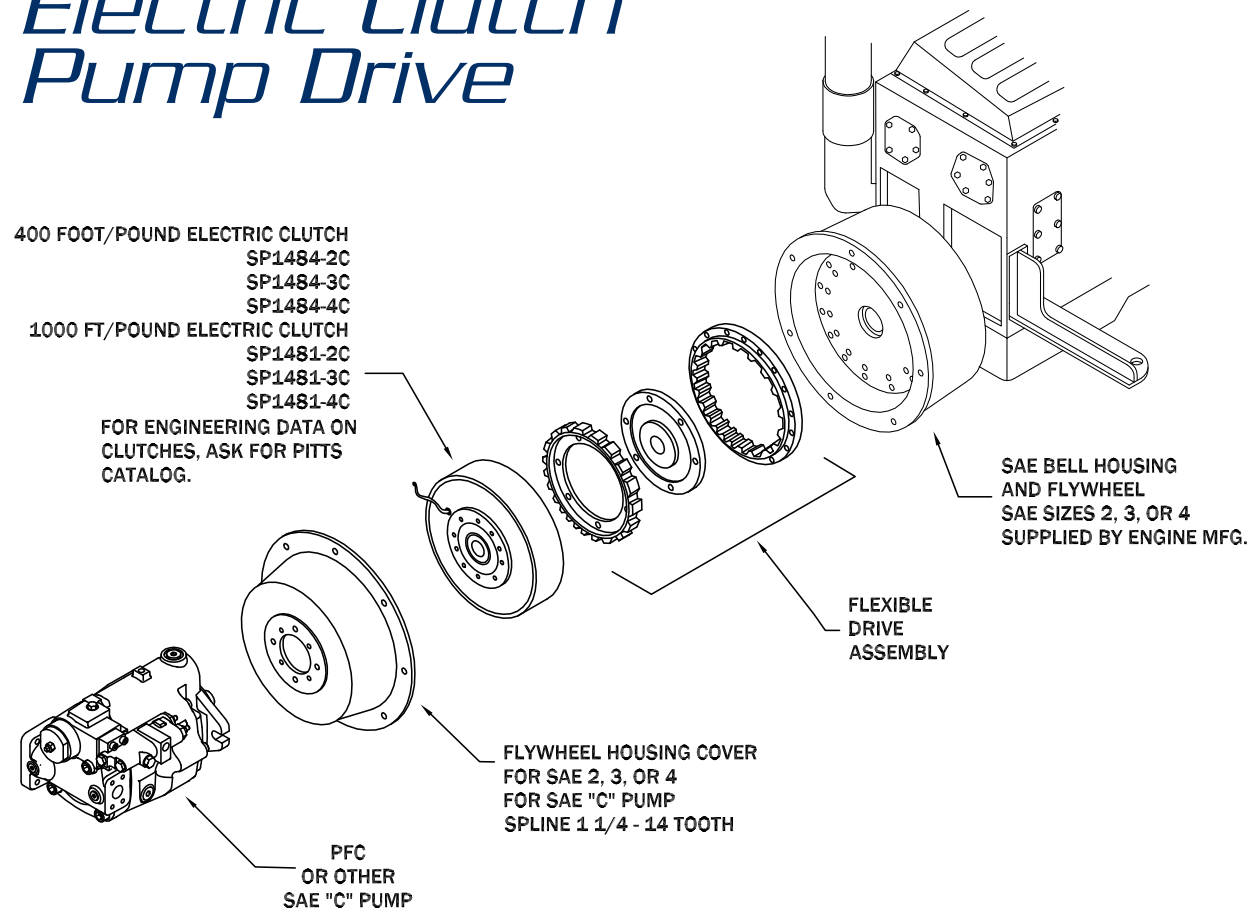
**SPENCER**  
**FLUID POWER**  
www.spencerfluidpower.com

**SPENCER**  
**FLUID POWER**  
www.spencerfluidpower.com



## Electric Clutch Pump Drive

400 FOOT/POUND ELECTRIC CLUTCH  
 SP1484-2C  
 SP1484-3C  
 SP1484-4C  
 1000 FT/POUND ELECTRIC CLUTCH  
 SP1481-2C  
 SP1481-3C  
 SP1481-4C  
 FOR ENGINEERING DATA ON CLUTCHES, ASK FOR PITTS CATALOG.



## Pump Mounting Tips

THIS DOUBLE UNIVERSAL DRIVE IS USED IF PUMP IS MOUNTED ON THE ENGINE RAILS. THE DRIVE SHAFT IS TELESCOPIC. IT CAN BE AS SHORT AS 12".

THREE MAIN RULES:

1. SHAFT MUST BE PARALLEL
2. SHAFT SHOULD BE OFFSET 1° TO 3°
3. UNIVERSALS MUST BE IN REGISTER AS SHOWN

